

Handheld Nutrunner Applications



Hanging Hook	2
Hanging Hook	3
Hanging Hook (Rotary type).....	4
Hanger Arm	5
Hanging Hook Grip End	6
Torque Reaction Plate.....	7
Extra Handle	8
Extra Switch.....	9
90 Degree Connector Adapter.....	10
Pin Plunger Type	11
Ball Plunger Type	12
Socket Rotation Safety Cover.....	13
Protective Cover	14
Power Cable	15
Compact Flash card.....	15
Conversion Cable.....	15
Bracket	16
Custom	17

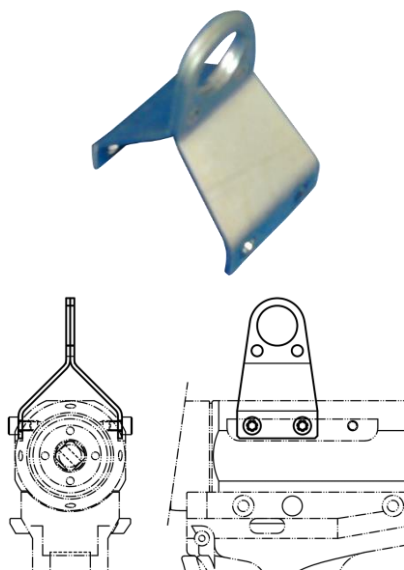
Hanging Hook

Angle/Straight



Target Tool Number	Part Number
HFT-015M50-A1-20	HFA-TF01
HFT-025M80-A1-20	
HFT-040M80-A1-20	
HFT-060M80-A-20	
(HFT-080M80-A-20)	
(HFT-130M80-A-20)	HFA-TF02
(HFT-200M80-A-20)	
HFT-080M120-A-20	
HFT-130M120-A-20	HFA-TF12
HFT-200M120-A-20	
HFT-300M120-A-20	HFA-TF13
HFT-010M50-S1-20	HFA-TF01
HFT-015M80-S1-20	
HFT-025M80-S1-20	
HFT-040M80-S1-20	
(HFT-055M80-S-20)	
(HFT-080M80-S-20)	HFA-TF02
HFT-055M120-S-20	
HFT-090M120-S-20	HFA-TF12
HFT-130M120-S-20	
HFT-015M50-P1	HFA-TF08
(HFT-030M80-P1D)	
HFT-030M120-P1 (-CE)	-
(HFT-030M120-TP-H)	-
HFT-035M80-P1	HFT-TF08
(HFT-035M80-P1-X)	16H-13001-L+E
HFT-050M120-P1 (-CE)	-
(HFT-060M80-P1)	HFA-TF08
HFT-080M120-P1 (-CE)	
HFT-200M120-P1	-
(HFT-030M80-DP-H)	-

Pistol Grip *included

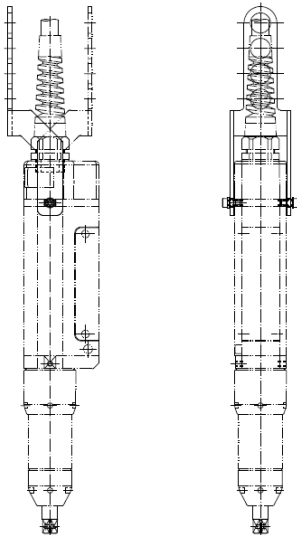


Hanging Hook

16H-21004



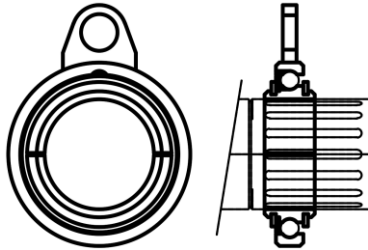
16H-21003



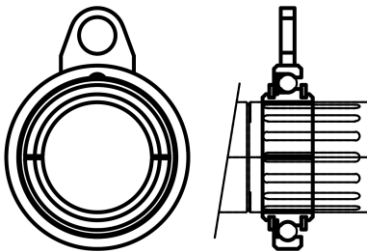
Target Tool Number	Part Number
HFT-015M50-A1-20 (-CE)	
HFT-025M80-A1-20 (-CE)	
HFT-040M80-A1-20 (-CE)	
HFT-060M80-A-20 (-CE)	
(HFT-080M80-A-20)	
(HFT-130M80-A-20)	-
(HFT-200M80-A-20)	
HFT-080M120-A-20 (-CE)	
HFT-130M120-A-20 (-CE)	
HFT-200M120-A-20 (-CE)	
HFT-300M120-A-20 (-CE)	
HFT-010M50-S1-20 (-CE)	
HFT-015M80-S1-20 (-CE)	
HFT-025M80-S1-20 (-CE)	
HFT-040M80-S1-20 (-CE)	
(HFT-055M80-S-20)	-
(HFT-080M80-S-20)	
HFT-055M120-S-20 (-CE)	
HFT-090M120-S-20 (-CE)	
HFT-130M120-S-20 (-CE)	
HFT-015M50-P1 (-CE)	16H-21004
(HFT-030M80-P1D)	
HFT-030M120-P1 (-CE)	-
(HFT-030M120-P-H)	
HFT-035M80-P1 (-CE)	16H-21004
(HFT-035M80-P1-X)	
HFT-050M120-P1 (-CE)	-
(HFT-060M80-P1)	16H-21004
HFT-080M120-P1 (-CE)	-
HFT-200M120-P1 (-CE)	
(HFT-030M80-DP-H)	16H-21003

Hanging Hook (Rotary type)

Angle



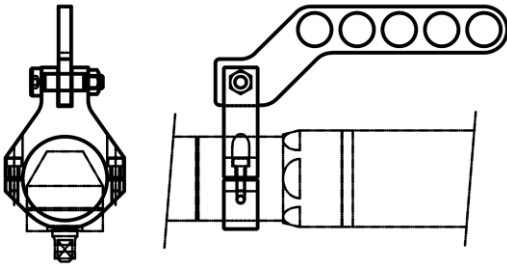
Straight



Target Tool Number	Part Number
HFT-015M50-A1-20	HFA-TF10
HFT-025M80-A1-20	
HFT-040M80-A1-20	
HFT-060M80-A-20	
(HFT-080M80-A-20)	
(HFT-130M80-A-20)	
(HFT-200M80-A-20)	
HFT-080M120-A-20	16H-23009
HFT-130M120-A-20	
HFT-200M120-A-20	
HFT-300M120-A-20	-
HFT-010M50-S1-20	HFA-TF10
HFT-015M80-S1-20	
HFT-025M80-S1-20	
HFT-040M80-S1-20	
(HFT-055M80-S-20)	
(HFT-080M80-S-20)	
HFT-055M120-S-20	
HFT-090M120-S-20	-
HFT-130M120-S-20	-
HFT-015M50-P1 (-CE)	-
(HFT-030M80-P1D)	
HFT-030M120-P1 (-CE)	
(HFT-030M120-P-H)	
HFT-035M80-P1 (-CE)	
(HFT-035M80-P1-X)	
HFT-050M120-P1 (-CE)	
(HFT-060M80-P1)	
HFT-080M120-P1 (-CE)	
HFT-200M120-P1 (-CE)	
(HFT-030M80-DP-H)	

Hanger Arm

Angle/Straight



Pistol Grip/Straight (push to start)



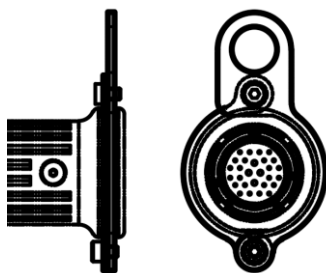
Target Tool Number	Part Number
HFT-015M50-A1-20	HFA-TF04
HFT-025M80-A1-20	
HFT-040M80-A1-20	
HFT-060M80-A-20	
(HFT-080M80-A-20)	HFA-TF05
(HFT-130M80-A-20)	
(HFT-200M80-A-20)	
HFT-080M120-A-20	
HFT-130M120-A-20	HFA-TF14
HFT-200M120-A-20	
HFT-300M120-A-20	-
HFT-010M50-S1-20	HFA-TF04
HFT-015M80-S1-20	
HFT-025M80-S1-20	
HFT-040M80-S1-20	
(HFT-055M80-S-20)	HFA-TF05
(HFT-080M80-S-20)	
HFT-055M120-S-20	HFA-TF14
HFT-090M120-S-20	
HFT-130M120-S-20	
HFT-015M50-P1 (-CE)	HFA-TF09
(HFT-030M80-P1D)	
HFT-030M120-P1 (-CE)	
(HFT-030M120-P-H)	
HFT-035M80-P1 (-CE)	
(HFT-035M80-P1-X)	
HFT-050M120-P1 (-CE)	
(HFT-060M80-P1)	
HFT-080M120-P1 (-CE)	
HFT-200M120-P1 (-CE)	
(HFT-030M80-DP-H)	

Hanging Hook Grip End

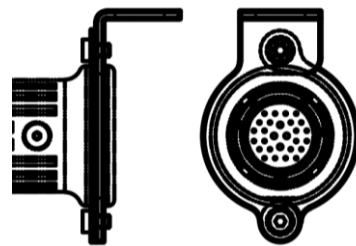
Angle/Straight



Target Tool Number	Part Number	
HFT-015M50-A1-20	HFA-TF06 HFA-TF07	
HFT-025M80-A1-20		
HFT-040M80-A1-20		
HFT-060M80-A-20		
(HFT-080M80-A-20)		
(HFT-130M80-A-20)		
(HFT-200M80-A-20)		
HFT-080M120-A-20		
HFT-130M120-A-20		
HFT-200M120-A-20		
HFT-300M120-A-20		
HFT-010M50-S1-20		HFA-TF06 HFA-TF07
HFT-015M80-S1-20		
HFT-025M80-S1-20		
HFT-040M80-S1-20		
(HFT-055M80-S-20)		
(HFT-080M80-S-20)		
HFT-055M120-S-20		
HFT-090M120-S-20		
HFT-130M120-S-20		
HFT-015M50-P1 (-CE)	-	
(HFT-030M80-P1D)		
HFT-030M120-P1 (-CE)		
(HFT-030M120-P-H)		
HFT-035M80-P1 (-CE)		
(HFT-035M80-P1-X)		
HFT-050M120-P1 (-CE)		
(HFT-060M80-P1)		
HFT-080M120-P1 (-CE)		
HFT-200M120-P1 (-CE)		
(HFT-030M80-DP-H)		



HFA-TF06



HFA-TF07

Torque Reaction Plate

Straight *included



Pistol Grip *included



Target Tool Number	Part Number
HFT-015M50-A1-20	
HFT-025M80-A1-20	
HFT-040M80-A1-20	
HFT-060M80-A-20	
(HFT-080M80-A-20)	
(HFT-130M80-A-20)	-
(HFT-200M80-A-20)	
HFT-080M120-A-20	
HFT-130M120-A-20	
HFT-200M120-A-20	
HFT-300M120-A-20	
HFT-010M50-S1-20	
HFT-015M80-S1-20	HFA-RP01
HFT-025M80-S1-20	
HFT-040M80-S1-20	
(HFT-055M80-S-20)	HFA-RP02
(HFT-080M80-S-20)	
HFT-055M120-S-20	
HFT-090M120-S-20	HFA-RP03
HFT-130M120-S-20	
HFT-015M50-P1 (-CE)	
(HFT-030M80-P1D)	
HFT-030M120-P1 (-CE)	
(HFT-030M120-P-H)	
HFT-035M80-P1 (-CE)	-
(HFT-035M80-P1-X)	
HFT-050M120-P1 (-CE)	
(HFT-060M80-P1)	
HFT-080M120-P1 (-CE)	
HFT-200M120-P1 (-CE)	HFA-RP04
(HFT-030M80-DP-H)	

Extra Handle



Straight



Pistol



Target Tool Number	Part Number
HFT-015M50-A1-20	
HFT-025M80-A1-20	
HFT-040M80-A1-20	
HFT-060M80-A-20	
(HFT-080M80-A-20)	
(HFT-130M80-A-20)	-
(HFT-200M80-A-20)	
HFT-080M120-A-20	
HFT-130M120-A-20	
HFT-200M120-A-20	
HFT-300M120-A-20	
HFT-010M50-S1-20	
HFT-015M80-S1-20	HFA-HA01
HFT-025M80-S1-20	
HFT-040M80-S1-20	
(HFT-055M80-S-20)	
(HFT-080M80-S-20)	
HFT-055M120-S-20	-
HFT-090M120-S-20	
HFT-130M120-S-20	
HFT-015M50-P1 (-CE)	16H-22005-G01
(HFT-030M80-P1D)	
HFT-035M80-P1 (-CE)	16H-22005-G02
(HFT-035M80-P1-X)	
HFT-030M120-P1 (-CE)	16H-22005-G04
(HFT-030M120-P-H)	
HFT-050M120-P1 (-CE)	
(HFT-060M80-P1)	-
HFT-080M120-P1 (-CE)	
HFT-200M120-P1 (-CE)	
(HFT-030M80-DP-H)	-

Extra Switch

Straight



Angle



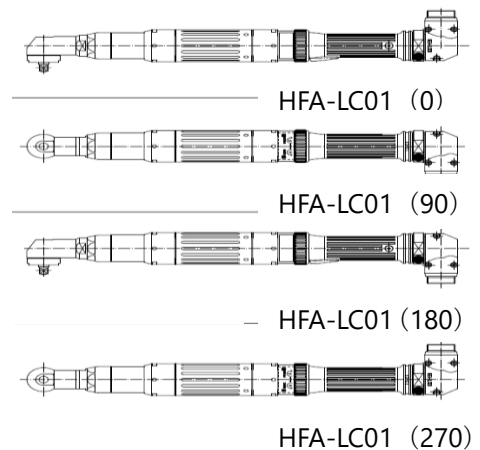
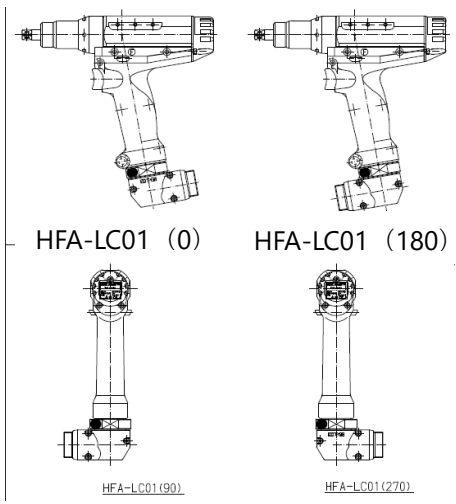
Target Tool Number	Part Number
HFT-015M50-A1-20	16H-18042+A
HFT-025M80-A1-20	
HFT-040M80-A1-20	
HFT-060M80-A-20	
(HFT-080M80-A-20)	
(HFT-130M80-A-20)	
(HFT-200M80-A-20)	
HFT-080M120-A-20	
HFT-130M120-A-20	
HFT-200M120-A-20	
HFT-300M120-A-20	
HFT-010M50-S1-20	16H-18042+A
HFT-015M80-S1-20	
HFT-025M80-S1-20	
HFT-040M80-S1-20	
(HFT-055M80-S-20)	
(HFT-080M80-S-20)	
HFT-055M120-S-20	
HFT-090M120-S-20	
HFT-130M120-S-20	
HFT-015M50-P1 (-CE)	-
(HFT-030M80-P1D)	
HFT-035M80-P1 (-CE)	
(HFT-035M80-P1-X)	
HFT-030M120-P1 (-CE)	
(HFT-030M120-P-H)	
HFT-050M120-P1 (-CE)	
(HFT-060M80-P1)	
HFT-080M120-P1 (-CE)	
HFT-200M120-P1 (-CE)	
(HFT-030M80-DP-H)	

90 Degree Connector Adapter

L type



Target Tool Number	Part Number
HFT-015M50-A1-20	
HFT-025M80-A1-20	
HFT-040M80-A1-20	
HFT-060M80-A-20	
(HFT-080M80-A-20)	
(HFT-130M80-A-20)	
(HFT-200M80-A-20)	
HFT-080M120-A-20	
HFT-130M120-A-20	
HFT-200M120-A-20	
HFT-300M120-A-20	
HFT-010M50-S1-20	
HFT-015M80-S1-20	
HFT-025M80-S1-20	
HFT-040M80-S1-20	
(HFT-055M80-S-20)	
(HFT-080M80-S-20)	
HFT-055M120-S-20	
HFT-090M120-S-20	
HFT-130M120-S-20	
HFT-015M50-P1 (-CE)	
(HFT-030M80-P1D)	
HFT-035M80-P1 (-CE)	
(HFT-035M80-P1-X)	
HFT-030M120-P1 (-CE)	
(HFT-030M120-P-H)	
HFT-050M120-P1 (-CE)	
(HFT-060M80-P1)	
HFT-080M120-P1 (-CE)	
HFT-200M120-P1 (-CE)	
(HFT-030M80-DP-H)	
	HFA-LC01(0)
	HFA-LC01(90)
	HFA-LC01(180)
	HFA-LC01(270)



Pin Plunger Type

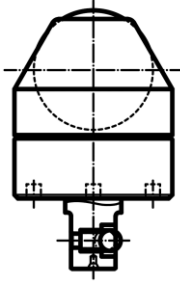
Angle/Pistol Grip/Straight/Straight (push to start)



Target Tool Number	Part Number
HFT-015M50-A1-20	UX-620(891-300-1)
HFT-025M80-A1-20	
HFT-040M80-A1-20	
HFT-060M80-A-20	UX-900(891-304-1)
(HFT-080M80-A-20)	
(HFT-130M80-A-20)	
(HFT-200M80-A-20)	
HFT-080M120-A-20	
HFT-130M120-A-20	16H-18025+B
HFT-200M120-A-20	
HFT-300M120-A-20	
HFT-010M50-S1-20	UX-620(891-300-1)
HFT-015M80-S1-20	
HFT-025M80-S1-20	
HFT-040M80-S1-20	UX-900(891-304-1)
(HFT-055M80-S-20)	
(HFT-080M80-S-20)	
HFT-055M120-S-20	
HFT-090M120-S-20	
HFT-130M120-S-20	UX-620(891-300-1)
HFT-015M50-P1 (-CE)	
(HFT-030M80-P1D)	
HFT-035M80-P1 (-CE)	
(HFT-035M80-P1-X)	
HFT-030M120-P1 (-CE)	
(HFT-030M120-P-H)	
HFT-050M120-P1 (-CE)	-
(HFT-060M80-P1)	
HFT-080M120-P1 (-CE)	UX-620(891-300-1)
HFT-200M120-P1 (-CE)	16H-18025+B
(HFT-030M80-DP-H)	UX-620(891-300-1)

Ball Plunger Type

Angle/Pistol Grip/Straight/Straight (push to start)



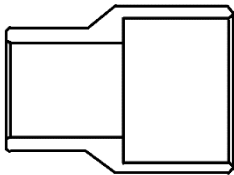
Target Tool Number	Part Number
HFT-015M50-A1-20	
HFT-025M80-A1-20	
HFT-040M80-A1-20	-
HFT-060M80-A-20	
(HFT-080M80-A-20)	16H-17060
(HFT-130M80-A-20)	16H-17061
(HFT-200M80-A-20)	-
HFT-080M120-A-20	16H-17056
HFT-130M120-A-20	16H-17057
HFT-200M120-A-20	16H-17058
HFT-300M120-A-20	16H-17059
HFT-010M50-S1-20	
HFT-015M80-S1-20	
HFT-025M80-S1-20	
HFT-040M80-S1-20	
(HFT-055M80-S-20)	-
(HFT-080M80-S-20)	
HFT-055M120-S-20	
HFT-090M120-S-20	
HFT-130M120-S-20	
HFT-015M50-P1 (-CE)	
(HFT-030M80-P1D)	
HFT-035M80-P1 (-CE)	
(HFT-035M80-P1-X)	
HFT-030M120-P1 (-CE)	
(HFT-030M120-P-H)	-
HFT-050M120-P1 (-CE)	
(HFT-060M80-P1)	
HFT-080M120-P1 (-CE)	
HFT-200M120-P1 (-CE)	
(HFT-030M80-DP-H)	-

Socket Rotation Safety Cover

Angle



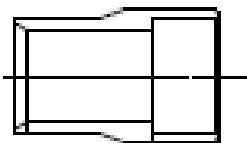
Straight



Pistol Grip



Straight (push to start)



Target Tool Number	Part Number
HFT-015M50-A1-20	Z-8145A(NAC)
HFT-025M80-A1-20	
HFT-040M80-A1-20	16H-20014+A
HFT-060M80-A-20	
(HFT-080M80-A-20)	16H-20015
(HFT-130M80-A-20)	
(HFT-200M80-A-20)	-
HFT-080M120-A-20	16H-20016
HFT-130M120-A-20	16H-20015
HFT-200M120-A-20	16H-18021+A
HFT-300M120-A-20	-
HFT-010M50-S1-20	
HFT-015M80-S1-20	-
HFT-025M80-S1-20	
HFT-040M80-S1-20	16H-18020
(HFT-055M80-S-20)	
(HFT-080M80-S-20)	
HFT-055M120-S-20	-
HFT-090M120-S-20	
HFT-130M120-S-20	
HFT-015M50-P1 (-CE)	-
(HFT-030M80-P1D)	
HFT-035M80-P1 (-CE)	16H-19011-01
(HFT-035M80-P1-X)	
HFT-030M120-P1 (-CE)	
(HFT-030M120-P-H)	PIJC32-60(MISUMI)
HFT-050M120-P1 (-CE)	
(HFT-060M80-P1)	-
HFT-080M120-P1 (-CE)	PIJC32-60(MISUMI)
HFT-200M120-P1 (-CE)	-
(HFT-030M80-DP-H)	-

Protective Cover



適応機種	型式/図番
HFT-015M50-A1-20	
HFT-025M80-A1-20	
HFT-040M80-A1-20	
HFT-060M80-A-20	
(HFT-080M80-A-20)	
(HFT-130M80-A-20)	-
(HFT-200M80-A-20)	
HFT-080M120-A-20	
HFT-130M120-A-20	
HFT-200M120-A-20	
HFT-300M120-A-20	
HFT-010M50-S1-20	
HFT-015M80-S1-20	
HFT-025M80-S1-20	-
HFT-040M80-S1-20	
(HFT-055M80-S-20)	
(HFT-080M80-S-20)	
HFT-055M120-S-20	-
HFT-090M120-S-20	
HFT-130M120-S-20	
HFT-015M50-P1	16H-10001-PCA+A
(HFT-030M80-P1D)	-
HFT-035M80-P1	16H-10001-PCB+A
(HFT-035M80-P1-X)	
HFT-030M120-P1	
HFT-050M120-P1	
(HFT-060M80-P1)	-
HFT-080M120-P1	
HFT-200M120-P1	
(HFT-030M80-DP-H)	-

Power Cable

Part Number	Destination	Plug type	Power Voltage	Length[m]	Remarks
-	Japan/USA	A	AC100V	5	Included
E0440152A	Europe	SE	AC200V	5	Option



Included



E0440152A

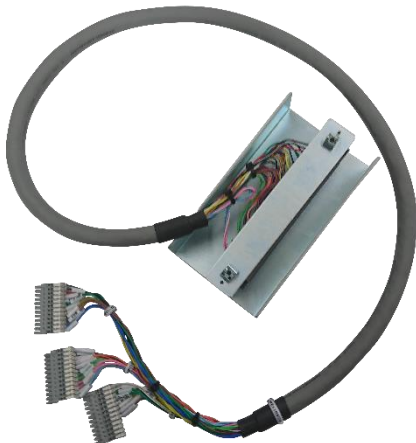
Compact Flash card



Part Number	Remarks
16G	Memory capacity: 16GB
32G	Memory capacity: 32GB

Conversion Cable

FUSION to HFC3000II I/O Conversion Cable



Part Number	Remarks
E0431124C	Conversion cable
16H-17052	bracket

Bracket

Target Tool Number	Part Number	Remarks
HFC-B024A	13T-20001	Table Stand (Angle Adjust)
	16H-18018	Side Mounting
	15T-18007-K01	Rear Mounting
	16H-16017	Table Stand

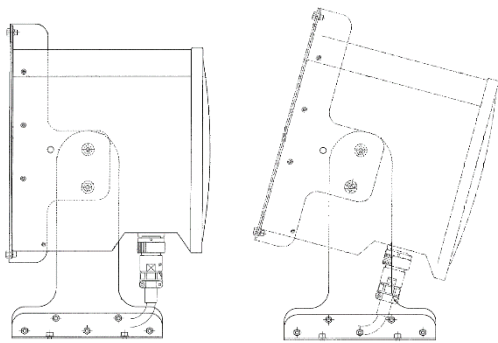


Table Stand (Angle Adjust)



Rear Mounting



Side Mounting



Table Stand (Fixed)

Custom



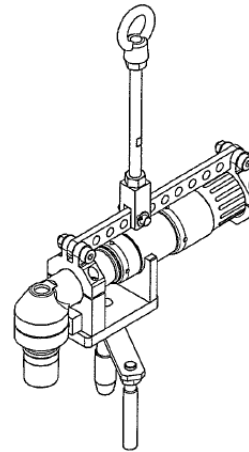
Crowfoot



Crowfoot



Tube-Nut



Anti-Torque Reaction Jig



Hold & Drive

NOTE) Specifications and designs of the products are subject to change without notice due to improvements.
NOTE) Ask about accessories not listed in this report