

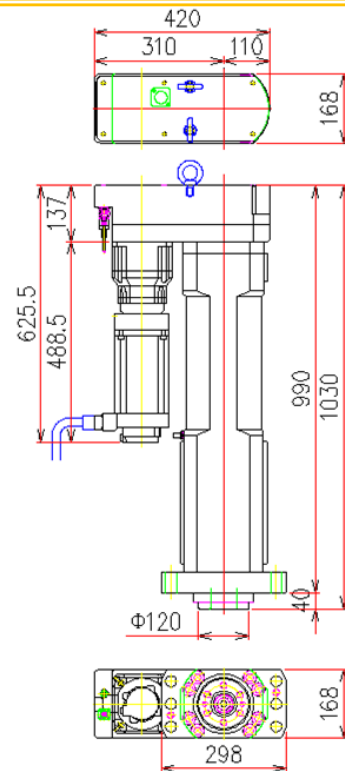
Launching a New Tool for Servo Press (DPS200kN)

DATE: 16, January, 2018

- Industry-leading speed 120mm/sec
- Reducing tool weight by 50%
- Industry's smallest tool width 168mm



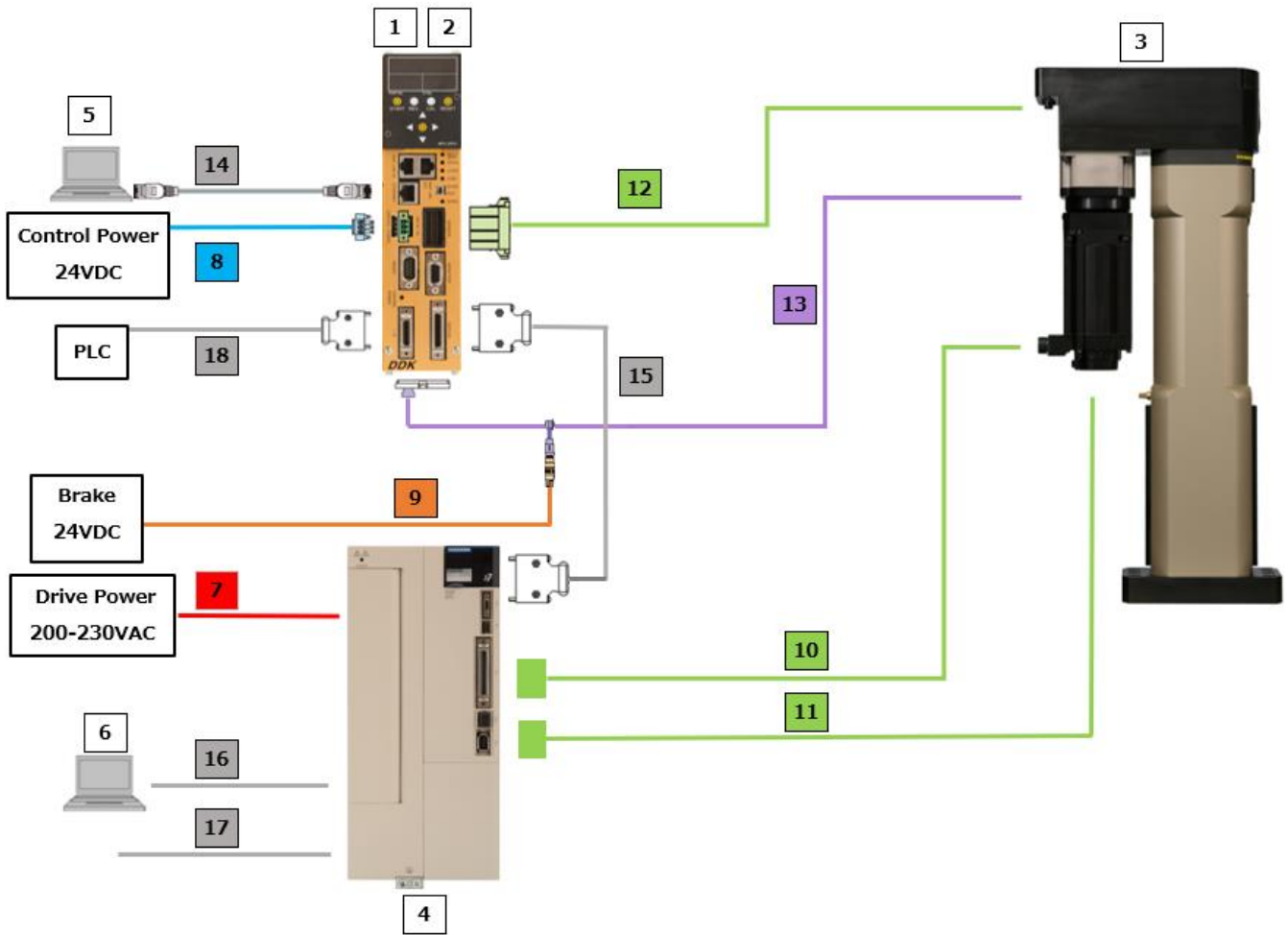
DPS-202Y5-20FB



Specification	
Model	DPS-202Y5-20FB
Max. Load	200kN
Load of Continuous Ratings	73kN
Max. Speed	120mm/sec
Stroke	200mm
Weight	218kgf
Load Accuracy	$3\sigma / \bar{X} \leq 1.5\%$
Distance Accuracy	$\pm 0.01\text{mm}$ 以下
Maximum Rotating Play of Ram	0.11deg
Sensor Output	NPN

* Model for PNP : DPS-202Y5-20FB-P

System Configuration



No	Name	Model	No	Name	Model
1	Controller (DSP3000)	MFC-GSC	10	Motor Cable ^{*2}	FA377192- * -E-DDK
2	Display	MFC-DP01	11	Encoder Cable ^{*2}	FA377193- * -E-DDK
3	Tool	DPS-202Y5-20FB	12	Preamplifier Cable ^{*2}	C30-P1-M *
4	SERVOPACK(Sigma-7)	SGD7S-330A00AY0527A	13	Limit Sensor & Brake Cable	C30-L3-M10
5	PC Software for DSP3000 (UC)	DSP-UC-N	14	EATHERNET Crossover	C30-UL1-M3
6	Sigma-7 Software (SigmaWin ⁺)	DPS-UC-N	15	Servo Control Cable ^{*2}	C30-S1-M *
7	Drive Power Cable	^{*1}	16	PC Connection Cable	JZSP-CVS06-02-E
8	Control Power Cable	C30-DC1-M2	17	Analog Monitor Cable	JZSP-CA01-E
9	Brake Cable ^{*2}	C15-B3-M * -U	18	Standard I/O Cable	C30-SU1-M3

^{*1} Not supplied.

^{*2} Ask about cable length.



ELECTRICAL ASSEMBLY TOOLS
DAI-ICHI DENTSU LTD.

NUTRUNNER / HAND-HELD TOOL / SERVO PRESS

Headquarters

1-54-1, Shimoishihara, Chofu-City, Tokyo 182-0034 Japan
TEL: +81-424-40-1465 FAX: +81-424-40-1436
URL : <http://www.daiichi-dentsu.co.jp>
E-mail: sales@daiichi-dentsu.co.jp

Kani Plant

690-1 Omori, Kani-City, Gifu, 509-0238 Japan
TEL: +81-574-62-5865 FAX: +81-574-62-3523

