

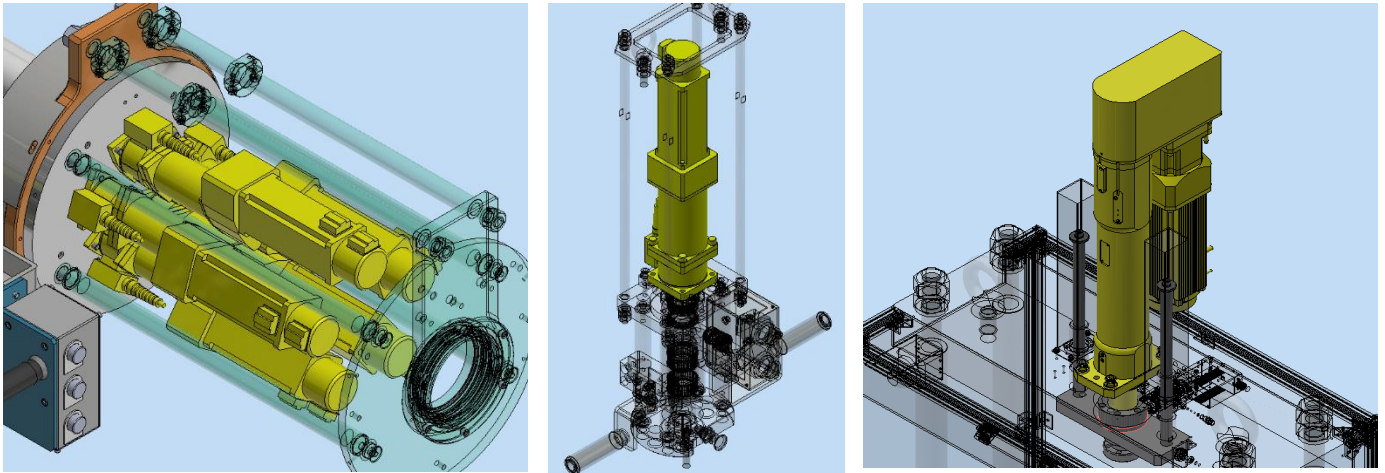
Updating DDK Website

DATE: November 29, 2017

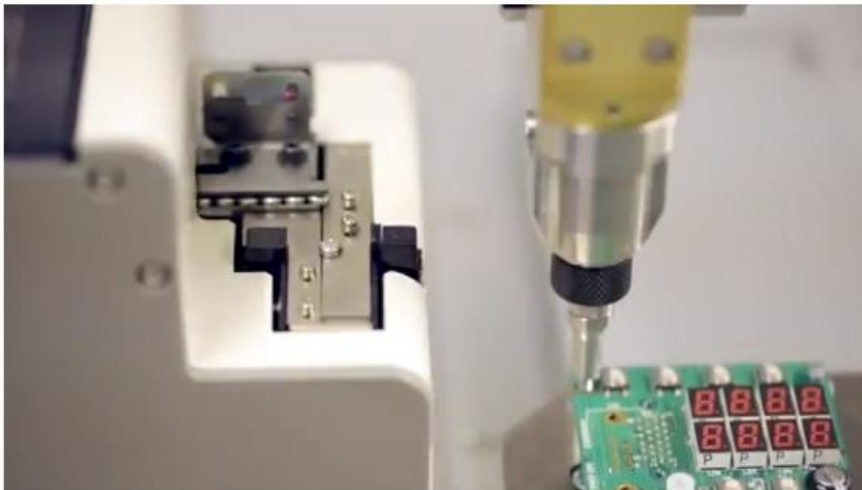
•3D files available to download

•Product videos available (MNR-8 and HFC3000II)

Download 3D files for our products from our web catalog. (Figures shown below are examples of use.)



Play product videos for MNR-8 and HFC3000 II .



MNR-8

Upper/lower limit detection of torque/angle, control of fastening speed, and setting of erroneous torque detection values at startup are available.

The smallest and most light-weight nutrunner in the industry. The mounting of an ultra-compact transducer assures high-precision fastening.

Features	System Configuration	Tool Specification	Controller Specification
<ul style="list-style-type: none"> Simple and compact design to save space. High-precision control realized by use of a high-speed CPU Torque, angle OK/NG judgement function equipped as a standard feature in the compact body Designated PC software stores fastening data, assisting quality control and traceability A design consciously built for a clean environment Interlock via external I/O signals available 			

MicroNR Movie Ver0



ELECTRICAL ASSEMBLY TOOLS
DAI-ICHI DENTSU LTD.

NUTRUNNER / HAND-HELD TOOL / SERVO PRESS

Headquarters

1-54-1, Shimoiishihara, Chofu-City, Tokyo 182-0034 Japan
TEL: +81-424-40-1465 FAX: +81-424-40-1436
URL: <http://www.daiichi-dentsu.co.jp>
E-mail: sales@daiichi-dentsu.co.jp

Kani Plant

690-1 Omori, Kani-City, Gifu, 509-0238 Japan
TEL: +81-574-62-5865 FAX: +81-574-62-3523

